

MAIN FEATURES

Standard \varnothing 58 mm encoder series for industrial applications with high mechanical resistance requirements. These encoders are designed to support high radial and axial shaft load and they can be mounted by means of flanges or fixing clamps.

- 3 channel encoder (A / B / Z) up to 24000 ppr
- Power supply up to +28 V DC with several electrical interfaces available
- Up to 500 kHz output frequency
- Cable or connector output
- Available with metal cover for heavy duty applications
- Solid shaft diameter up to 12 mm
- Mounting by synchronous, clamping or coupling flange



ORDERING CODE

ER 58C M* 500 S 5/28 P 8 X 6 P R .XXX

SERIES
incremental encoder series **EL**
incremental encoder series **ER**

MODEL
synchronous flange \varnothing 50 mm **58B**
clamping flange \varnothing 36 mm **58C**
clamping flange \varnothing 50 mm **58H**
coupling flange \varnothing 40 mm **58T**

METAL COVER
* add for metal cover **M**

RESOLUTION
ppr from **1** to **24000**
refer to the available pulses list

ZERO PULSE
without zero pulse **S**
with zero pulse **Z**

POWER SUPPLY
(with L electrical interface) 5 V DC **5**
5 ... 28 V DC **5/28**

ELECTRICAL INTERFACE
NPN open collector **C**
push-pull **P**
line driver **L**
power supply 5/28V - output RS-422 **RS**

SHAFT DIAMETER
(mod. B) mm **6**
(mod. C) mm **8**
(mod. B / C / H) (3/8") mm **9,52**
mm **10**
(mod. T) mm **12**

ENCLOSURE RATING
IP 54 **X**
(mod. B / C / T) IP 66 **S**

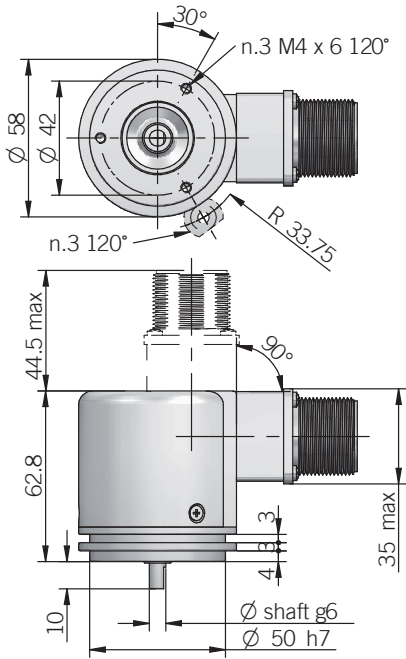
MAX ROTATION SPEED
(IP 66) 3000 rpm **3**
(IP 54) 6000 rpm **6**

OUTPUT TYPE
cable (standard length 1,5 m) **P**
preferred cable lengths 2 / 3 / 5 / 10 m, to be added after DIRECTION TYPE (eg. PR5)
MIL connector **M**
JIS-C-5432 connector **J**
M12 connector **M12**
M23 connector **M23**
IP40 IEC 60130-9 connector **C**
female connector included, without female please add 162 as variant code

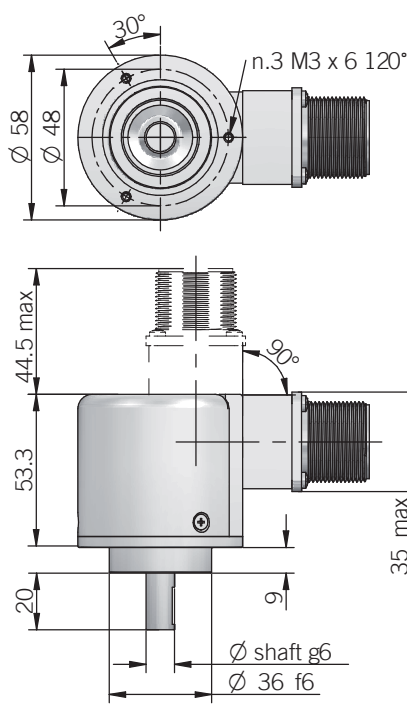
DIRECTION TYPE
axial **A**
radial **R**

VARIANT
custom version **XXX**

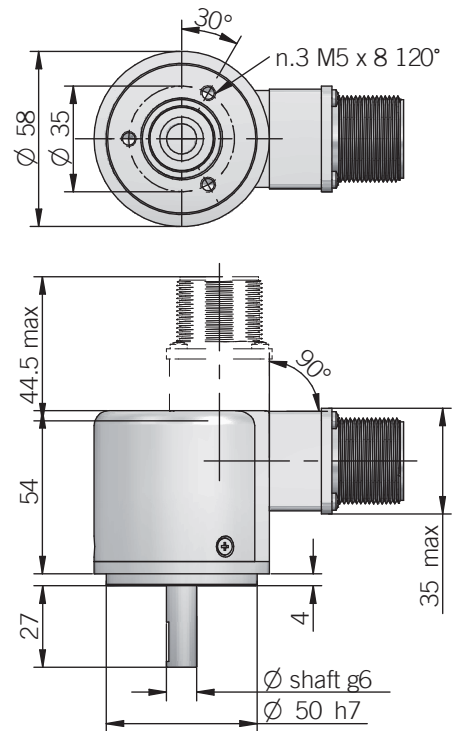
58 B



58 C

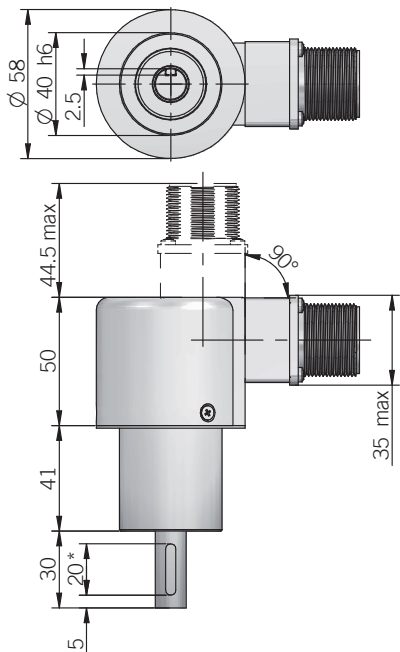


58 H



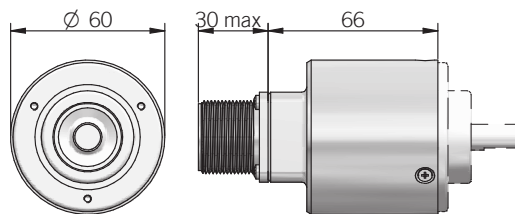
fixing clamps not included, please refer to Accessories

58 T

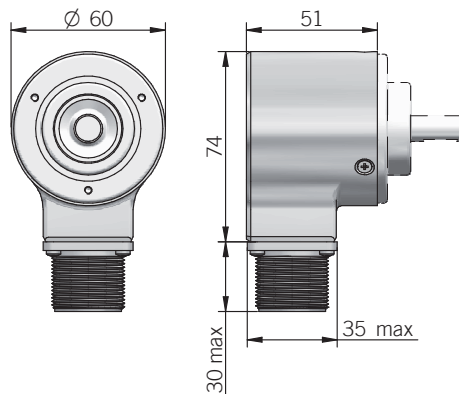


* slot only with 12mm shaft diameter
dimensions in mm

Dimension with metal cover and axial output



Dimension with metal cover and radial output



ELECTRICAL SPECIFICATIONS

Resolution	from 1 to 24000 ppr
Power supply¹	5 = 4,5 ... 5,5 V DC 5/28 = 4,5 ... 30 V DC (reverse polarity protection)
Power draw without load	800 mW max
Max load current	C / P = 50 mA / channel L / RS = 20 mA / channel
Electrical interface²	NPN open collector (AEIC-7273, pull-up max +30 V DC) push-pull / line driver HTL (AEIC-7272) line driver RS-422 (AELT-5000 or equivalent)
Max output frequency	250 kHz up to 6000 ppr 500 kHz from 7200 ppr
Counting direction	A leads B clockwise (shaft view)
Electromagnetic compatibility	according to 2014/30/EU directive
RoHS	according to 2015/863/EU directive
UL / CSA	certificate n. E212495

EL SERIES RESOLUTIONS

1 - 2 - 4 - 5 - 10 - 15 - 16 - 20 - 25 - 30 - 32 - 40 - 50 - 60 - 70 - 80 - 90 - 160 - 180 - 350 - 450 - 660 - 700 - 750 - 1500

ER SERIES RESOLUTIONS

100 - 120 - 128 - 150 - 200 - 240 - 250 - 256 - 300 - **360** - 400 - 480 - **500** - **512** - **600** - 625 - **720** - 800 - 900 - **1000** - **1024** - 1200 - 1250 - 1440 - 1600 - 1800 - **2000** - **2048** - **2500** - 3000 - **3600** - 4000 - 4096 - **5000** - 6000 - **7200** - 8000 - 8192 - 9000 - **10000** - 10240 - 12000 - **14400** - 16000 - 16384 - 18000 - **20000** - 20480 - 24000

please directly contact our offices for other pulses, preferred resolutions in bold

MECHANICAL SPECIFICATIONS

Shaft diameter	ø 6 / 8 / 9,52 (3/8") / 10 / 12 mm
Enclosure rating	X = IP 54 (IEC 60529) S = IP 66 (IEC 60529)
Max rotation speed	IP 54 - 6000 rpm IP 66 - EL 3000 rpm / 60° C ER 3000 rpm / 70° C - 2000 rpm / 85° C
Max shaft load³	10 N axial / 20 N radial with ø6 mm shaft 200 N axial / radial
Shock	50 G, 11 ms (IEC 60068-2-27)
Vibration	10 G, 10 ... 2000 Hz (IEC 60068-2-6)
Moment of inertia	1,5 x 10 ⁻⁶ kgm ² (36 x 10 ⁻⁶ lbf ²)
Starting torque (at +20°C / +68°F)	< 0,02 Nm (2,83 Ozin) IP 54 < 0,06 Nm (8,50 Ozin) IP 66
Bearing stage material	EN-AW 2011 aluminum
Shaft material	1.4305 / AISI 303 stainless steel
Housing material	PA66 glass fiber reinforced / painted aluminum
Bearings	n.2 ball bearings
Bearings life	10 ⁹ revolutions
Operating temperature^{4,5}	-10° ... +60°C (+14° ... +140°F) EL series -25° ... +85°C (-13° ... +185°F) ER series
Storage temperature⁵	-25° ... +70°C (-13° ... +158°F)
Weight	350 g (12,35 oz) 450 g (15,87 oz) with metal cover

¹ as measured at the transducer without cable influences

² for further details refer to OUTPUT LEVELS on TECHNICAL BASICS section

³ maximum load for static usage

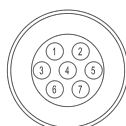
⁴ measured on the transducer flange

⁵ condensation not allowed

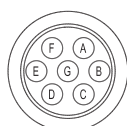
CONNECTIONS

Function	Cable C / P	Cable L / RS	7 pin J C / P	7 pin J L / RS no Zero	7 pin M C / P	7 pin M L / RS no Zero	10 pin J L / RS with Zero	10 pin M L / RS with Zero	5 pin M12 C / P	8 pin M12 L / RS	12 pin H	5 pin C C / P	8 pin C L / RS
+V DC	red	red	6	4	F	D	4 - 5	D - E	2	7	12	5	7
0 V	black	black	1	6	A	F	6	F	4	1	10	1	8
A+	green	green	3	1	C	A	1	A	3	6	5	2	1
A-	/	brown or grey	/	3	/	C	7	G	/	5	6	/	2
B+	yellow	yellow	5	2	E	B	2	B	1	4	8	4	3
B-	/	orange	/	5	/	E	8	H	/	3	1	/	4
Z+	blue	blue	4	/	D	/	3	C	5	2	3	3	5
Z-	/	white	/	/	/	/	9	I	/	8	4	/	6
≡	shield	shield	7	7	G	G	10	J	housing	housing	9	/	/

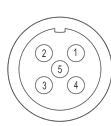
J connector (7 pin)
JIS-C-5432 Size 16
solder side view FV



M connector (7 pin)
Amphenol MS3102-E-16-S
solder side view FV



M12 connector (5 pin)
M12 A coded
solder side view FV



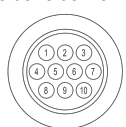
C connector (5 pin)
IEC 60130-9
solder side view FV



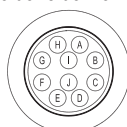
H connector (12 pin) - M23 CCW
Hummel 7.410.000000 -
7.002.912.603
solder side view FV



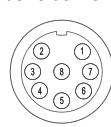
J connector (10 pin)
JIS-C-5432 Size 16
solder side view FV



M connector (10 pin)
Amphenol MS3102-E-18-1
solder side view FV



M12 connector (8 pin)
M12 A coded
solder side view FV



C connector (8 pin)
IEC 60130-9
solder side view FV

