

MAIN FEATURES

Rope encoder series with steel rope available for lengths up to 15 m.
 The attached encoder can be incremental or absolute.
 Perfectly suitable also for harsh environments, thanks to its excellent mechanical strength.
 It can be used in wide range of applications such as: vertical warehouses, presses, extruders, etc.



ORDERING CODE

FES 3000 A -58B

SERIES rope encoder for linear measures	FES
WORKING STROKE 3 m 3000 6 m 6000 15 m 15000	
OUTPUT TYPE horizontal output	A
ENCODER FLANGE MODEL	58B

Incremental or absolute (model 58B) must be ordered together. Please add letter F before standard encoder ordering code.

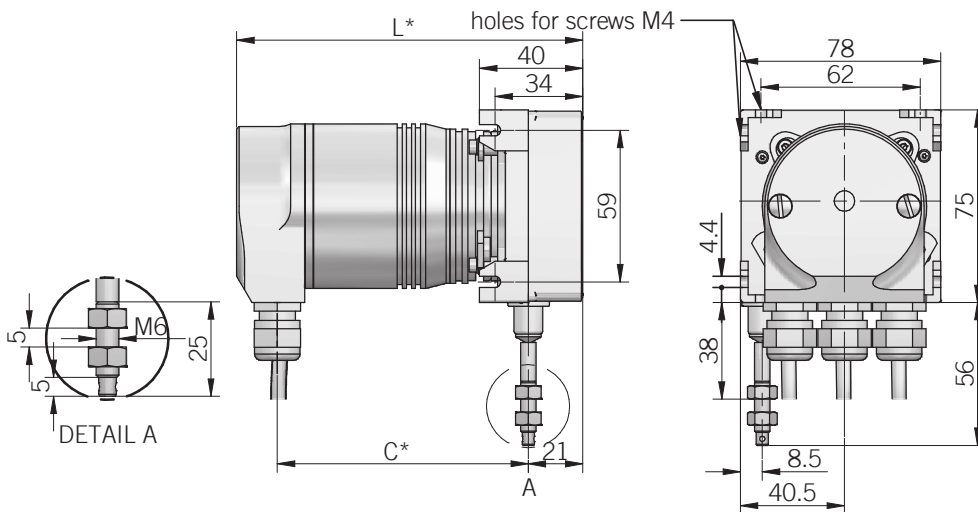
Example:

- 1) with incremental encoder ordering code will be : FER58B ...
- 2) with absolute multiturn encoder ordering code will be : FEAMR58BR ...
- 3) with absolute Profinet multiturn encoder ordering code will be : FAAM58B ...

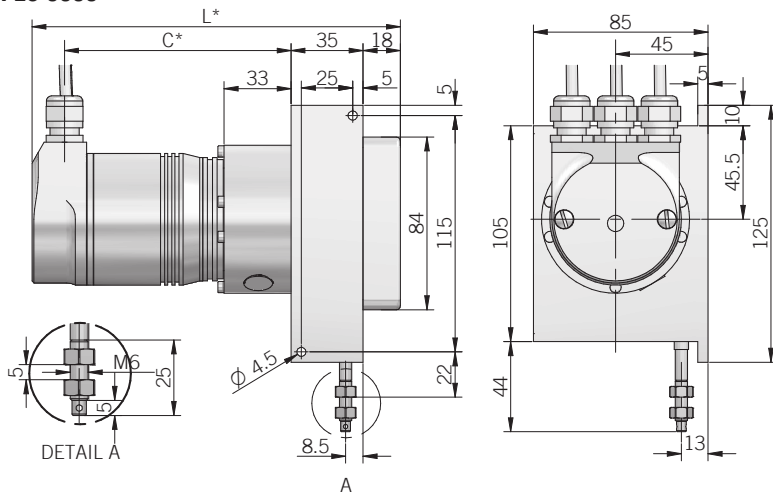
Complete ordering code example:

FES3000A-58B
FER58B1024Z5/28L6X3PR

FES 3000



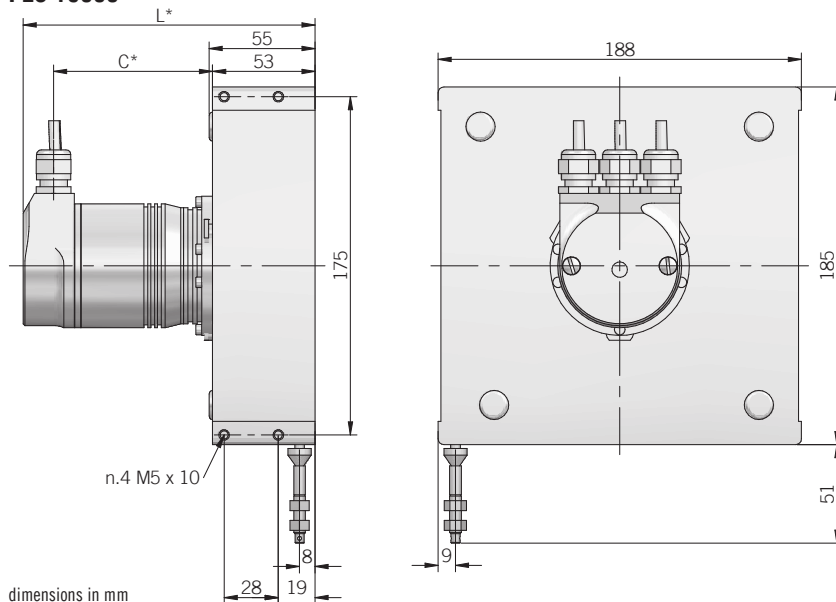
FES 6000



Installation notes

A 5 mm wire extension is recommended before the measurement starting point.
This prevents the wire snapping back to the stop on rewinding.
Wire should be pulled out straight in line with wire outlet.

FES 15000



dimensions in mm

MECHANICAL SPECIFICATIONS

Model	FES 3000	FES 6000	FES 15000
Max length measurement	3 m	6 m	15 m
Drum circumference	200 mm	200 mm	500 mm
Wire diameter	0,87 mm	0,54 mm	0,87 mm
Repeat accuracy	± 0,15 mm		± 0,25 mm
Max speed	0,8 m/s	3 m/s	2,4 m/s
Pull-out force required	≥ 3 N	≥ 8 N	≥ 15,5 N
Housing material	aluminum / plastic		aluminium die casting
Rope material	steel		steel rope, synthetically coated
Enclosure rating	depends on encoder IP		
Operating temperature	-40° ... +80°C (-40° ... +176°F)	-20° ... +80°C (-4° ... +176°F)	-40° ... +80°C (-40° ... +176°F)
Weight	350 g (12,35 oz) + encoder	700 g (24,69 oz) + encoder	2500 g (88,18 oz) + encoder
(EL-ER 58B) L*	95 mm	140 mm	114 mm
(EAM 58BR) L*	109 mm	154 mm	128 mm
(EAM 58B PROFIBUS) L*	135 mm	180 mm	154 mm
(EL-ER 58B) C*	58 mm	70 mm	99,5 mm
(EAM 58BR) C*	70 mm	82 mm	100,5 mm
(EAM 58B PROFIBUS) C*	98 mm	110 mm	127,2 mm